

DISPENSER INSTALLATION



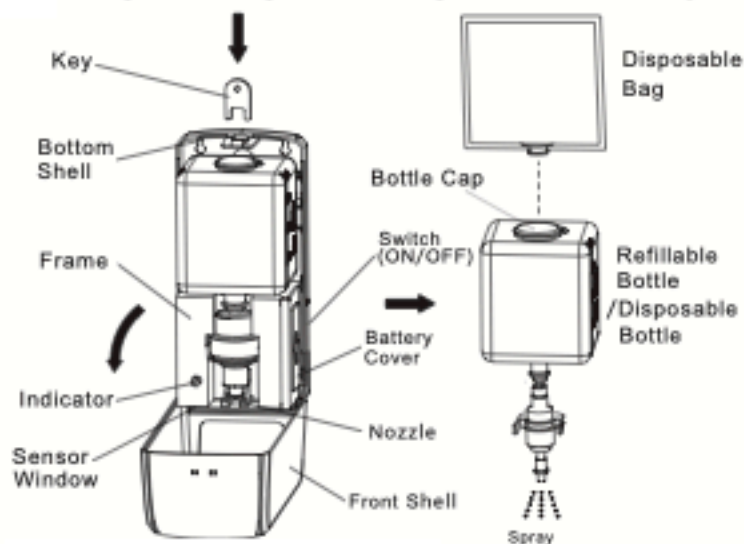
1X *



* we have different shape but same installation.

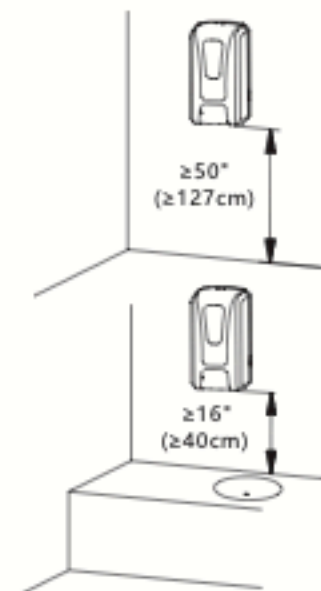
A Packing List

B Part Name



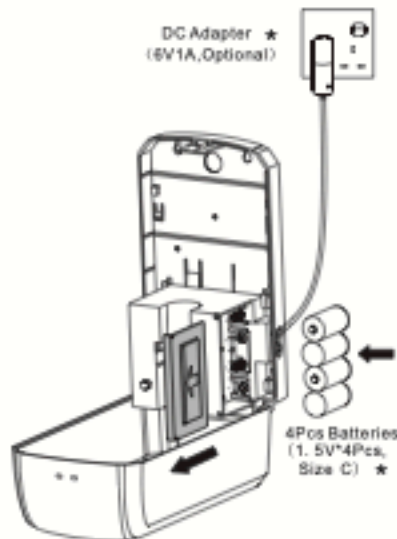
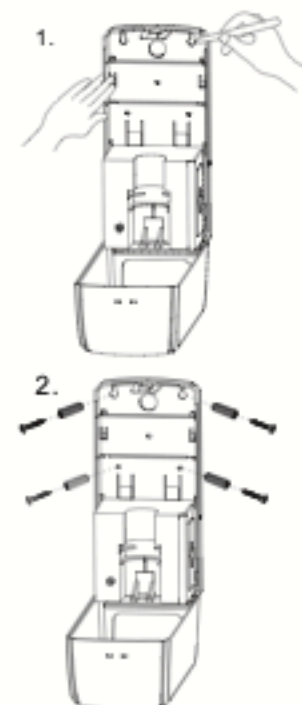
Spray: Sanitizer Liquid;

C Height from Floor/Table



* keep away from sunshine and humid place

D Way for Screw



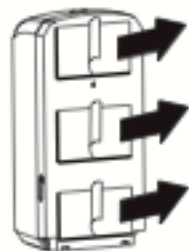
DC Adapter ★
(6V1A, Optional)

4Pos Batteries
(1.5V*4Pcs,
Size C) ★

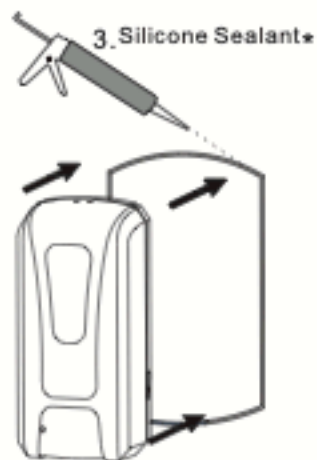
★ The Standard Packing is not including DC Adapter and Batteries

E Install Batteries/DC Adapter

1. Double-sided adhesive★
(Optional)

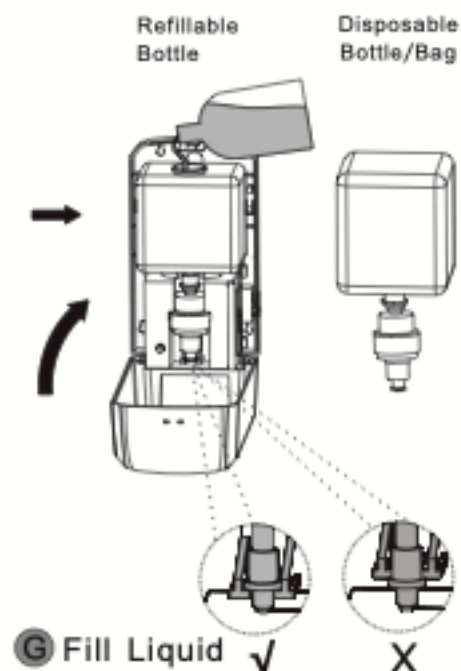


2.



★ The standard Packing is not including Double-sided adhesive and Silicone sealant

F Installation with Adhesive Backing (no screws)



G Fill Liquid



- UV disinfection
- LED Light:
 1. green color 5 seconds flush: working condition;
 2. red color 5 seconds flush: low power for battery and change;
 3. red color 2 seconds flush: something under sensor and remove it;
- Sensing Distance: 8-12cm

H Enjoy hand sanitizing

